

Ficha Realizada:	J. A. G.	Código:	PRT510	Fecha:	08/09/2017	Revisión:	
Referencia:	<b>TLE721</b>	Cumplimiento Norma/s:	Declaration of Conformity Manufacturer				

## Descripción:

### Hydraulic press for compression of joints up to 100 Tn of pressure

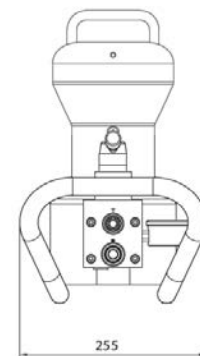
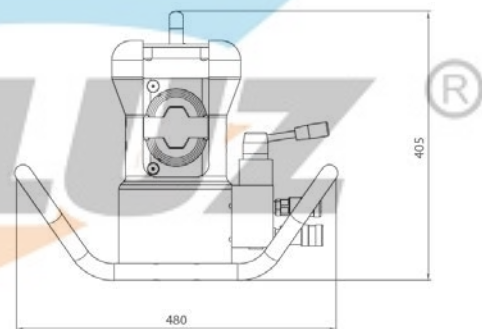
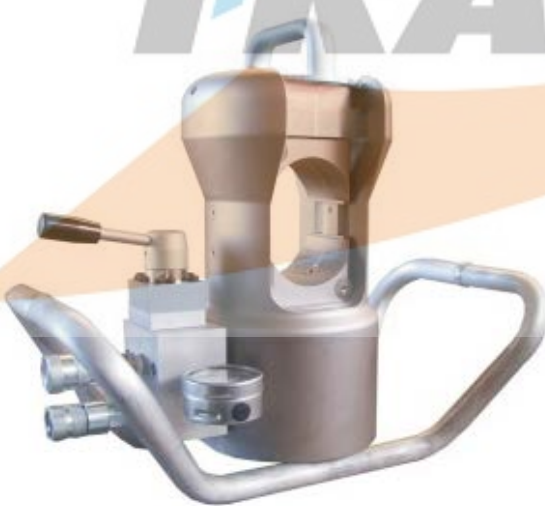
Hydraulic press suitable for compressing terminals and sleeves up to 100 Tn of pressure.

Made of hot forged steel in a cylindrical shape for a better weight and resistance ratio. Compatible with the 700 bar maximum pressure hydraulic units.

Configuration:

- Total control of the hydraulic system (double effect) with low speed in compression and high speed in decompression mode.
- Manometer to check the oil pressure.
- Lifting point with double handles at the base of the head body.

- Protection bar to protect the gauge manifold and quick coupler.
- Matrix locking system, by means of prisoners installed in the middle of the external surface of one of its sides.
- Interchangeable toolholder with flat head pistons to allow different compression systems.
- Distributor in the compressor body for safe use. Made of aluminum to reduce weight.



Code	Reference	Max compression force (Tn)	Max pressure (bar)	Max hexagon "ch" for steel (mm)	Max hexagon "ch" for	Max stroke (mm)	Press mass (Kgs)
PRT510	TLE721	100	700	29	60	31	35

#### Óddział - Polska

Tel. (+48) 609027109 - Fax. (+48) 17 7852369  
Ul. Przy Torze 1 (street Przy Torze 1), Rzeszów

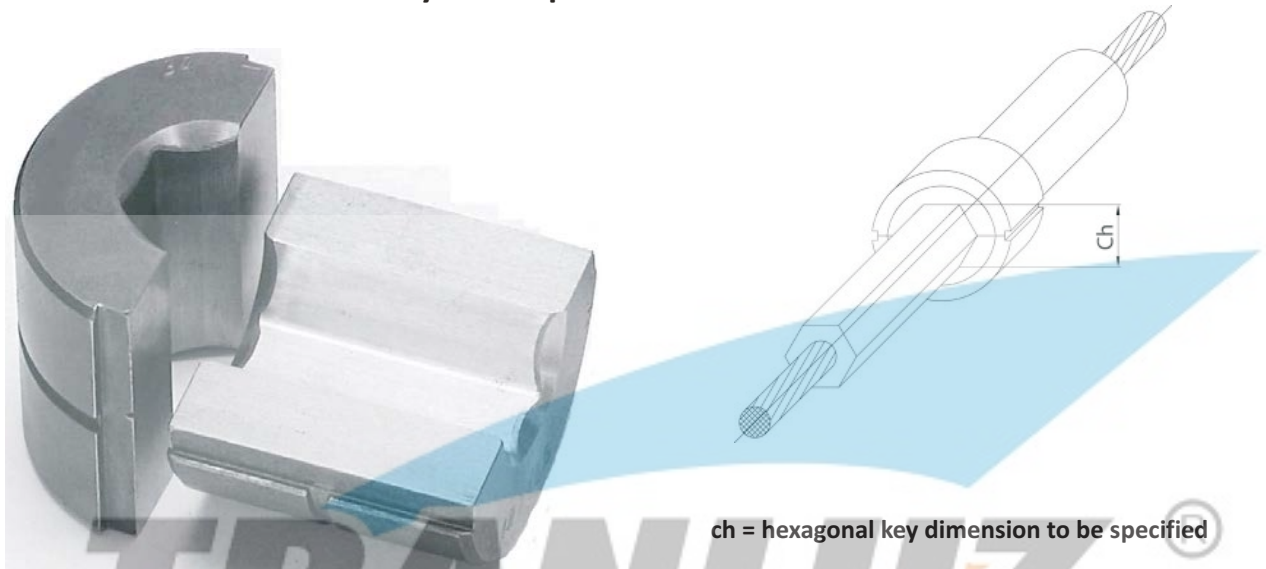
#### Central España

Tel. (+34) 954 367290 - Fax. (+34) 954 356773  
P.I. Calonge, C/ Oro nº2, 41007, Sevilla (España)



Ficha Realizada:	J. A. G.	Código:	PRT510	Fecha:	08/09/2017	Revisión:	
Referencia:	<b>TLE721</b>	Cumplimiento Norma/s:	Declaration of Conformity Manufacturer				

## Hydraulic press dies PRT510



ch = hexagonal key dimension to be specified

Dies for Conductors	
Joint Material	Die Model
	Hexagonal
Steel	PDM042
Aluminium	PDM043
Almelec	PDM044

Dies for Coupling
Die PDM025

Straightening Joint Devices
Die PDR007

### Óddzial - Polska

Tel. (+48) 609027109 - Fax. (+48) 17 7852369  
Ul. Przy Torze 1 (street Przy Torze 1), Rzeszów

### Central España

Tel. (+34) 954 367290 - Fax. (+34) 954 356773  
P.I. Calonge, C/ Oro nº2, 41007, Sevilla (España)

